

+ Power Distribution Series

Available in 3 & 4 Pole, 15A to 30A

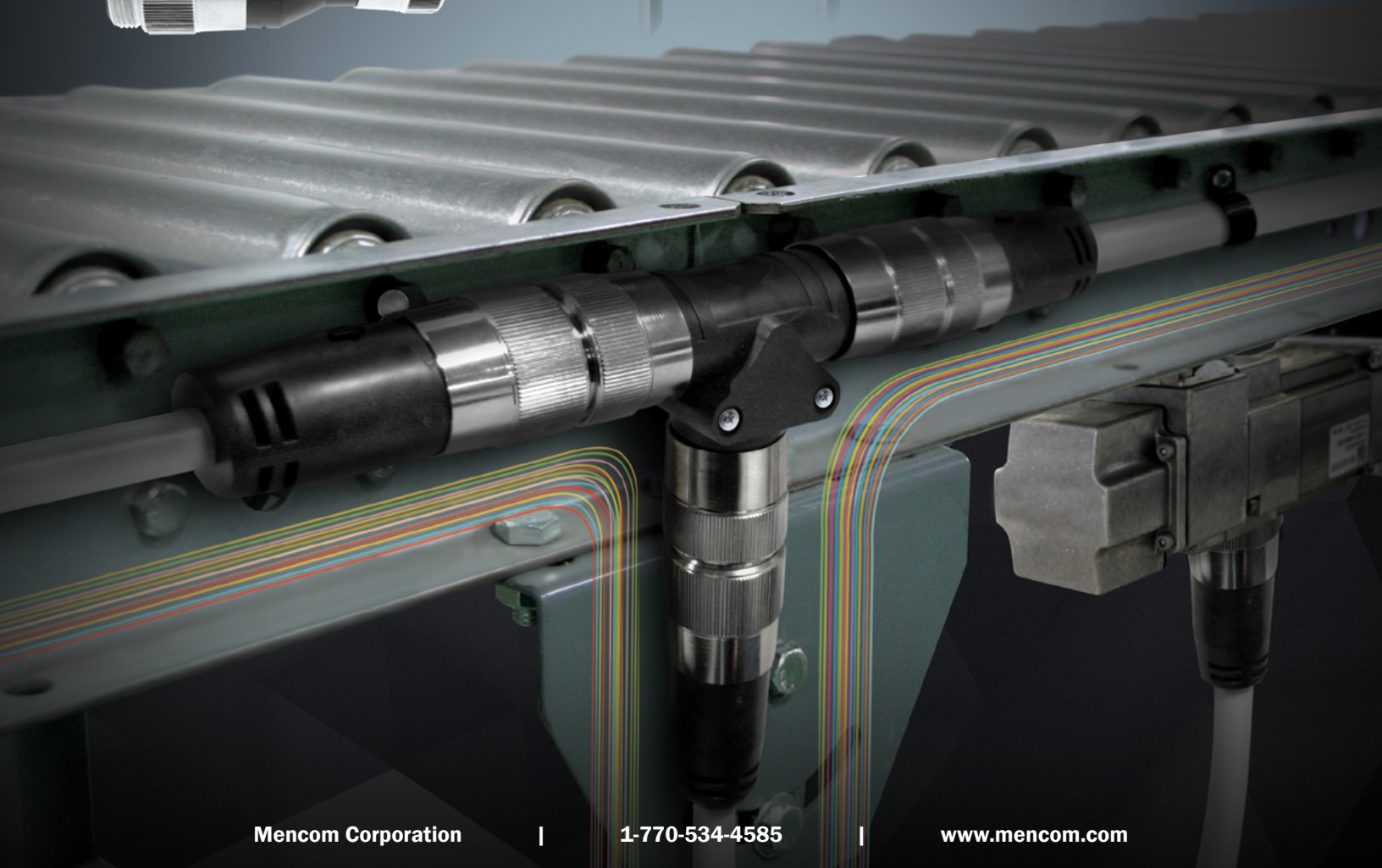
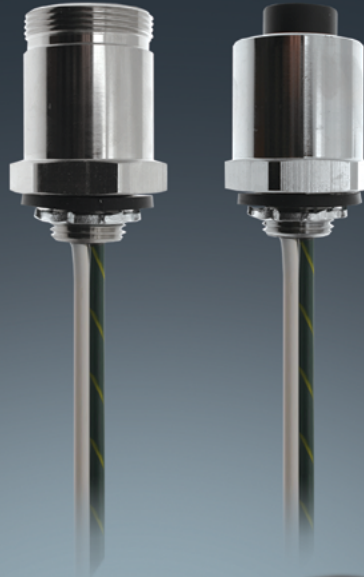
COST EFFECTIVE - TIME EFFICIENT - RELIABLE



[t-connectors & adapters]

[receptacles]

[over-molded cordsets]

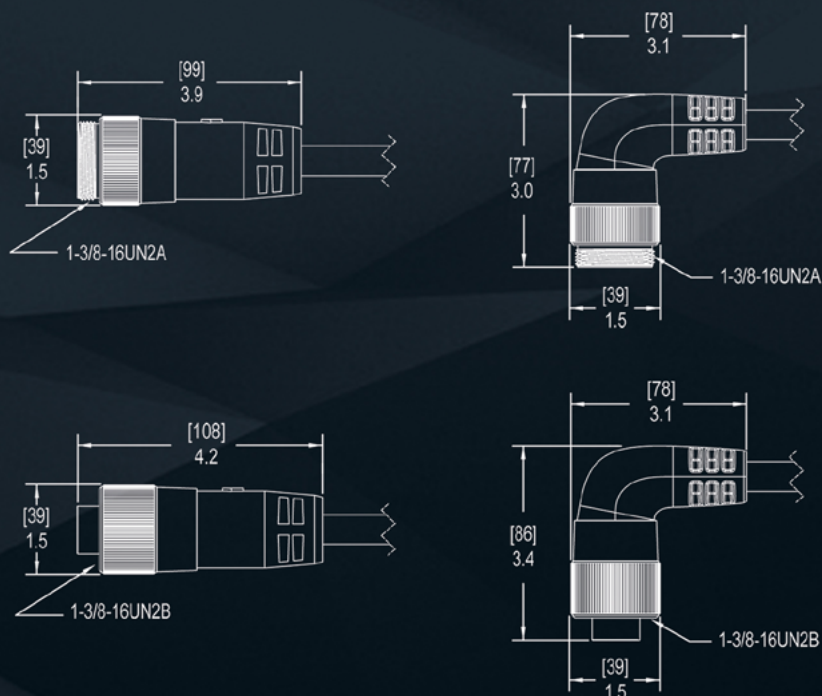


+ CONNECTOR SPECS

1 3/8"-16 UN threads
UL Listed & IP67 Rating

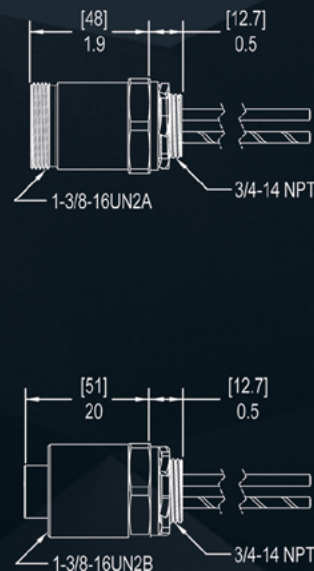
The Mencom power distribution series provides a cost effective and time efficient, plug and play solution for your motor and machine, power applications. This easy to use industrial series of molded cordsets, prewired receptacles, adapter plugs and tees, provide a quick disconnect option for applications that demand more power.

[over-molded cordsets]

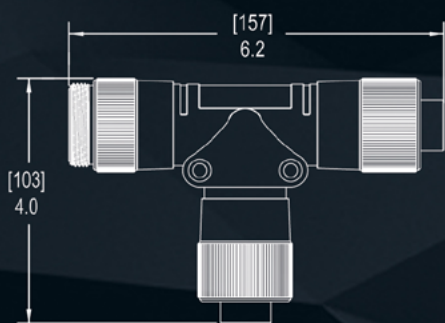


[receptacles]

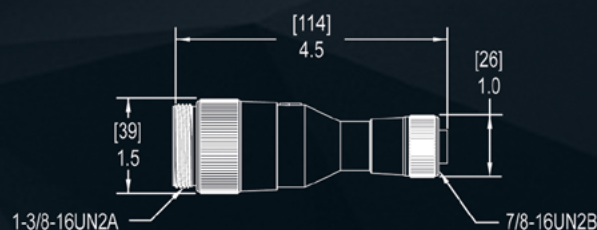
3/4"-14NPT shown. 1/2"-14NPT & also available.



[t-connectors]



[adapters]



[ratings]

3 pole	10 AWG	12 AWG	14 AWG
	600V, 30A	600V, 25A	600V, 18A
4 pole	10 AWG	12 AWG	14 AWG
	600V, 25A	600V, 20A	600V, 15A

+ MODULAR SOLUTION

For power distribution system



The Mencom power distribution series is completely modular, which means the user can mix and match assorted parts on the installation. The simple plug and play solution reduces installation time and the need for specialized tools or labor that is typically used for traditional conduit or raceway installations. The result is faster, easier, and more reliable than hardwiring, and offers an attractive over-all cost savings for the installation.